



PNEUMATIC TIRE FORKLIFT

8,000-12,000 LB CAPACITY LP GAS, GASOLINE AND DIESEL MODELS

THE PNEUMATIC TIRE FORKLIFT THAT PULLS ITS WEIGHT



COMFORT COMES STANDARD.

STEP INTO THE OPERATOR COMPARTMENT OF AN FG40N-FG55N / FD40N-FD55N



Comfortable Operator Compartment:

With three-point access, operators of any size can easily enter the operator compartment of these Mitsubishi forklift trucks. The large floor space provides maximum operator comfort, especially during long shifts, while the “through the floor” pedal design further reduces operator fatigue and discomfort throughout the day.

Ergonomic Seat: The FG40N-FG55N / FD40N-FD55N forklift series features seats with adjustable forward and backward movement, added side support in the back cushion and an anti-cinch seat belt, creating a comfortable work environment for operators of varying heights. An optional full-suspension seat is available on these forklifts for additional support during long shifts.

Excellent Operator Visibility:

From the standard lighting package, which includes two forward LED work lights, to the lack of crossbars in the overhead guard, the design of the forklift allows for excellent visibility in all directions during operation. And with a low-profile counterweight and narrow mast channels, obstructions are kept to a minimum.

Adjustable Steering: The forklift’s steering column is equipped with standard memory tilt steering. Allowing for infinite adjustment in a 12 degree range, the steering column’s “memory” feature retains the operator’s preferred settings for added convenience and comfort during operation.

- Designed for operator comfort
- Comfort seat
- Excellent visibility
- Memory tilt steering

All come together to create a working environment that reduces fatigue through even the longest shifts.

Every operator is different, so the key to creating a comfortable shift is a flexible design.





Features	Standard	Optional
Comfort seat	●	
Memory tilt steering column	●	
Two forward LED working lights	●	
Integrated Presence System	●	
Full-suspension seat		●
Full-suspension swivel seat		●
Swing-down LP tank bracket		●

Ask your local dealer about the available options for improved performance, productivity and operator comfort.

POWERFUL EFFICIENCY.

QUALITY COMPONENTS AND EASY MAINTENANCE MEAN INCREASED UPTIME

- Smooth, powerful engines
- Enhanced engine protection
- Reliable components
- Easy service access
- Flexible options

These forklifts are built to perform from the ground up.

Efficient From The Inside Out:

Offering LP and diesel configurations to meet the needs of several applications, the internal combustion process of these forklifts effectively balances productivity and fuel efficiency. Additionally, the truck has numerous standard features and options available to meet performance needs based on any number of variables including operator experience, environmental factors and safety considerations..



Cool And Quiet: The forklift's fan and radiator system is equipped with a horizontal cross flow cooling system to help keep the engine cool and functioning at peak performance. The corrugated design provides optimal heat exchange, while the aluminum core helps to prevent corrosion. The direct drive fan also reduces noise and necessary maintenance, benefiting your operators and your business.

Engine Protection: Regulated by the Vehicle Control Module, the Engine Protection System keeps the truck running at desirable levels while helping to prevent damage to the forklift, saving you money. If the vital fluids become critically low, RPM levels are automatically lowered and the operator is immediately notified by a light on the dash display.

Easy Service Access: Tool-free access to the engine compartment makes routine maintenance, such as cleaning radiator fins, much easier. Additionally, the Vehicle Control Module is conveniently located under the dashboard cup holder, making it readily accessible.



Additional options are available to customize the forklift for your application:

- Bottler's Tilt
- Service Indicator Options
- Warning Lights
- Dust/Fiber Protection Options
- Debris Resistance Options

CHARACTERISTICS			FG40N		FD40N		FG45N		
1	Rated capacity	lb kg	8,000	4,000	8,000	4,000	9,000	4,500	
2	Load center	in mm	24	500	24	500	24	500	
3	Power		dual fuel: gasoline / LP gas		diesel		dual fuel: gasoline / LP gas		
4	Tire type		pneumatic		pneumatic		pneumatic		
5	Wheels		2x / 2		2x / 2		2x / 2		
DIMENSIONS									
6	Maximum fork height (BOF)	in mm	132	3,350	132	3,350	132	3,350	
7	Free lift	in mm	5.9	150	5.9	150	5.9	150	
8	Forks – thickness x length x width	in mm	2 x 48 x 5.9	50 x 1,220 x 150	2 x 48 x 5.9	50 x 1,220 x 150	2 x 48 x 5.9	50 x 1,220 x 150	
9	Fork spacing – out-to-out minimum / maximum	in mm	12.6 / 46.6	320 / 1,184	12.6 / 46.6	320 / 1,184	12.6 / 46.6	320 / 1,184	
10	Tilt – forward / backward	deg	6° / 10°		6° / 10°		6° / 10°		
11	Overall length to fork face	in mm	118	3,000	118	3,000	123	3,130	
12	Overall width	single	in mm	55.7	1,415	55.7	1,415	57.5	1,460
13		standard duals	in mm	77.4	1,965	77.4	1,965	77.4	1,965
14	Overall mast height (mast lowered)	in mm	91.3	2,320	91.3	2,320	91.3	2,320	
15	Seat effective height	in mm	42.6	1,082	42.6	1,082	42.6	1,082	
16	Head guard height	in mm	90.5	2,296	90.5	2,296	90.5	2,296	
17	Overall height (mast extended with backrest)	in mm	180	4,570	180	4,570	180	4,570	
18	Minimum turning radius	in mm	102	2,580	102	2,580	107	2,730	
19	Front overhang	in mm	22.7	577	22.7	577	22.7	577	
20	Minimum aisle for right angle stacking – zero clearance w/o load	in mm	124	3,157	124	3,157	130	3,307	
PERFORMANCE									
21	Speeds	travel speed – loaded / empty	mph km/h	13.7 / 14.0	22.0 / 22.5	13.4 / 14	21.5 / 22.5	13.7 / 14.0	22.0 / 22.5
22		lift speed – loaded / empty	fpm m/s	112 / 118	0.57 / 0.60	120 / 126	0.61 / 0.64	112 / 118	0.57 / 0.60
23		lowering speed – loaded / empty	fpm m/s	98.4 / 98.4	0.5 / 0.5	98 / 98	0.5 / 0.5	98.4 / 98.4	0.5 / 0.5
24	Drawbar pull (forward – loaded)	1 mph (1.6 km) – 1st	lb N	6,300	28,000	5,800	25,800	6,300	28,000
25		STALL – 1st	lb N	8,700	38,500	8,273	36,800	8,400	37,500
26	Gradeability (forward – loaded)	1 mph (1.6 km) – 1st	%	32.0		27.4		28.9	
27		STALL – 1st	%	45.8		40.7		40.2	
WEIGHT									
28	Total weight (unloaded – single)	lb kg	12,920	5,860	13,118	5,950	13,820	6,270	
29	Axle load	with rated load front / rear	lb kg	18,630 / 2,290	8,450 / 1,040	19,820 / 2,117	8,990 / 960	20,240 / 2,580	9,180 / 1,170
30		without load front / rear	lb kg	5,750 / 7,170	2,610 / 3,250	5,931 / 7,188	2,690 / 3,260	6,060 / 7,760	2,750 / 3,520
CHASSIS									
31	Tire size	front, single	in	8.25–15–14PR		8.25–15–14PR		300–15–18PR	
32		front, special duals	in	8.25–15–12PR		8.25–15–12PR		8.25–15–12PR	
33		rear	in	7.00–12–12PR		7.00–12–12PR		7.00–12–12PR	
34	Wheelbase	in mm	72.8	1,850	72.8	1,850	78.7	2,000	
35	Tread	front, single	in mm	46.3	1,175	46.3	1,175	46.3	1,175
36		front, special duals	in mm	56.9	1,445	56.9	1,445	56.9	1,445
37		rear	in mm	46.5	1,180	46.5	1,180	46.5	1,180
38	Under clearance	at mast	in mm	5.9	150	5.9	150	5.9	150
39		at frame	in mm	8.9	227	8.9	227	8.9	227
40	Brakes	service		foot, hydraulic		foot, hydraulic		foot, hydraulic	
41		parking		hand, mechanical		hand, mechanical		hand, mechanical	
POWERTRAIN									
42	Engine	model		GK45		4EGT		GK45	
43		rated output	HP kW	97	72	72	54	97	72
44		@ engine speed	r.p.m.	2,450		2250		2,450	
45		maximum torque	lb-ft N-m	207	280	191.76	260	207	280
46		@ engine speed	r.p.m.	1,200		1,800		1,200	
47		cylinder / displacement	cu in L	6 / 275	6 / 4.5	4 / 203	4 / 3.33	6 / 275	6 / 4.5
48	Transmission – type		powershift		powershift		powershift		
49	Transmission – number of speeds forward / reverse		2 / 1		2 / 1		2 / 1		
50	Battery – volts		12		12		12		
51	Relief pressure for attachments	psi bar	2,770	191	2,770	191	2,770	191	
52	Noise (CEN)	dB(A)	83		83		83		

NOTE: These specifications assume the use of drive axles, tires and tilt angles specified. Any modification to specifications, or any other combination of specifications made after the shipment of the truck, requires prior written approval from Mitsubishi Logisnext Americas Inc. (See ANSI/ITSDF B56.1.) Also be advised that overall operating visibility may be affected by the mast configuration and mast options of your truck. Therefore, you may need to add ancillary [auxiliary] devices or modify your operating practices. Consult your dealer for further information.

FD45N		FG50CN		FD50CN		
1	9,000	4,500	10,000	5,000	10,000	5,000
2	24	500	24	500	24	500
3	diesel		dual fuel: gasoline / LP gas		diesel	
4	pneumatic		pneumatic		pneumatic	
5	2x / 2		2x / 2		2x / 2	
6	132	3,350	132	3,350	132	3,350
7	5.9	150	5.9	150	5.9	150
8	2x48x5.9	50x1,220x150	2x48x5.9	50x1,220x150	2x48x5.9	50x1,220x150
9	12.6 / 46.6	320 / 1,184	12.6 / 46.6	320 / 1,184	12.6 / 46.6	320 / 1,184
10	6° / 10°		6° / 10°		6° / 10°	
11	123	3,130	125	3,170	125	3,170
12	57.5	1,460	57.5	1,460	57.5	1,460
13	77.4	1,965	77.4	1,965	77.4	1,965
14	91.3	2,320	94.5	2,400	94.5	2,400
15	42.6	1,082	42.6	1,082	42.6	1,082
16	90.5	2,296	90.5	2,296	90.5	2,296
17	180	4,570	180	4,570	180	4,570
18	107	2,730	109	2,760	109	2,760
19	22.7	577	22.9	582	22.9	582
20	130	3,307	132	3,342	132	3,342
21	13.4 / 14	21.5 / 22.5	13.7 / 14.0	22.0 / 22.5	13.0 / 13.7	21.0 / 22.0
22	118 / 126	0.60 / 0.64	96.5 / 102	0.49 / 0.52	102 / 108	0.52 / 0.55
23	98 / 98	0.5 / 0.5	98.4 / 98.4	0.5 / 0.5	98 / 98	0.5 / 0.5
24	5,733	25,500	6,200	27,500	5,598	24,900
25	8,116	36,100	8,400	37,500	8,048	35,800
26	24.7		25.9		21.9	
27	36.0		36.2		32.3	
28	14024	6360	14,970	6,790	15170	6880
29	21411 / 2536	9710 / 1150	22,190 / 2,780	10,060 / 1,260	23395 / 2800	10610 / 1270
30	6,130 / 7,894	2780 / 3580	6,330 / 8,640	2,870 / 3,920	6395 / 8776	2900 / 3980
31	300-15-18PR		300-15-18PR		300-15-18PR	
32	8.25-15-12PR		8.25-15-12PR		8.25-15-12PR	
33	7.00-12-12PR		7.00-12-12PR		7.00-12-12PR	
34	78.7	2,000	78.7	2,000	78.7	2,000
35	46.3	1,175	46.3	1,175	46.3	1,175
36	56.9	1,445	56.9	1,445	56.9	1,445
37	46.5	1,180	46.5	1,180	46.5	1,180
38	5.9	150	5.9	150	5.9	150
39	8.9	227	8.9	227	8.9	227
40	foot, hydraulic		foot, hydraulic		foot, hydraulic	
41	hand, mechanical		hand, mechanical		hand, mechanical	
42	4EGT		GK45		4EGT	
43	72	54	97	72	72	54
44	2250		2,450		2250	
45	191.76	260	207	280	191.76	260
46	1,800		1,200		1,800	
47	4 / 203	4 / 3.33	6 / 275	6 / 4.5	4 / 203	4 / 3.33
48	powershift		powershift		powershift	
49	2 / 1		2 / 1		2 / 1	
50	12		12		12	
51	2,770	191	2,770	191	2,770	191
52	83		83		83	

SAFETY STANDARDS

These trucks meet American National Standards Institute/Industrial Truck Standards Development Foundation, ANSI/ITSDF B56.1. UL-Classified by Underwriters Laboratories, Inc., as to fire and electric shock hazard only. Availability: Types G, LP and D standard. Types GS and LPS (subject to availability). Users should be aware of, and adhere to, applicable codes and regulations regarding operator training, use, operation and maintenance of powered industrial trucks, including:

- ANSI/ITSDF B56.1.
- NFPA 505, fire safety standard for powered industrial trucks -type designations, areas of use, maintenance and operation.
- Occupational Safety and Health Administration (OSHA) regulations that may apply.

Specifications, equipment, technical data, photos and illustrations based on information at time of printing and subject to change without notice. Some products may be shown with optional equipment.

Contact your Mitsubishi forklift truck dealer for further information, including operator training programs and auxiliary visual and audible warning systems, fire extinguishers, etc., as available for specific user applications and requirements. Specifications, equipment, technical data, photos and illustrations based on information at time of printing and subject to change without notice. Some products may be shown with optional equipment.

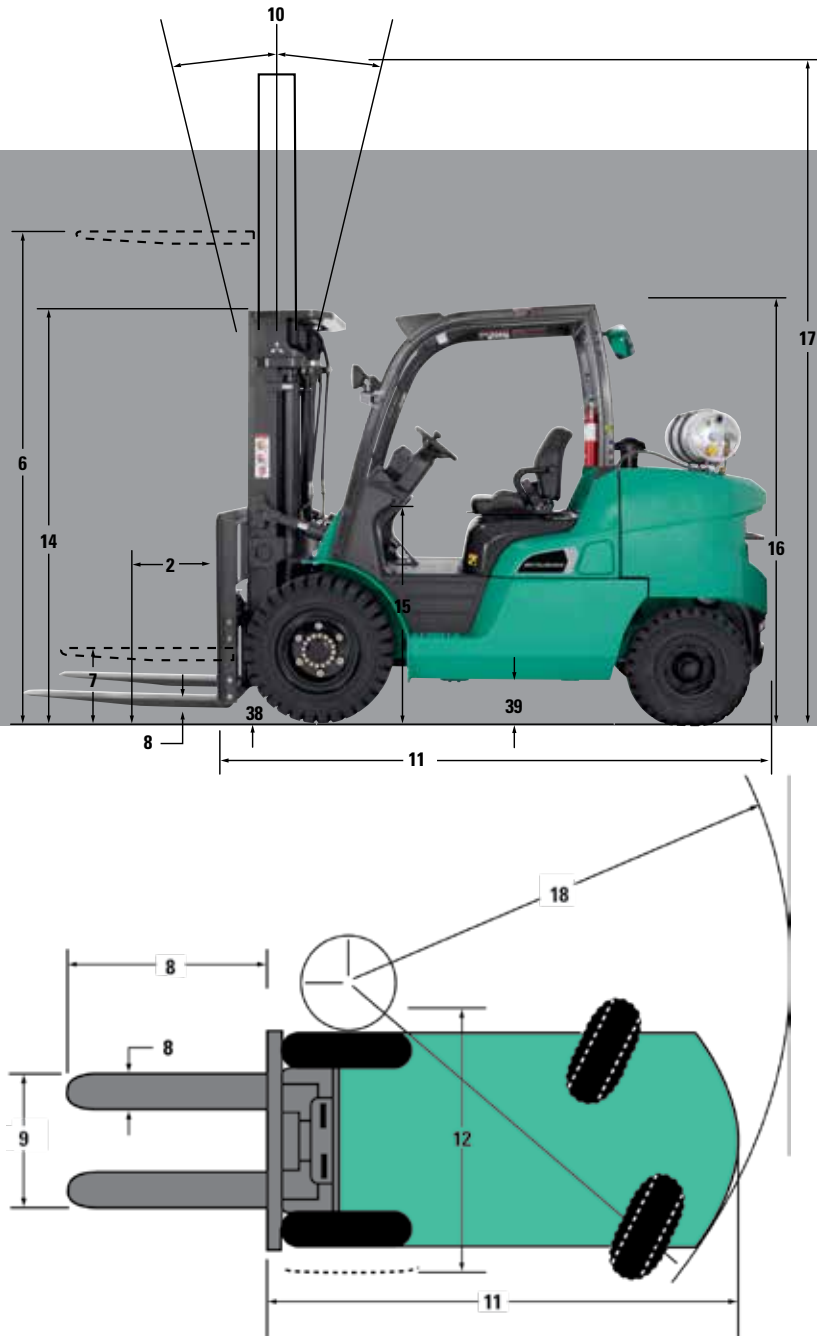
CHARACTERISTICS			FG50N		FD50N		FG55N	
1	Rated capacity	lb kg	11,000	5,000	11,000	5,000	12,000	5,500
2	Load center	in mm	24	600	24	600	24	600
3	Power		dual fuel: gasoline / LP gas		diesel		dual fuel: gasoline / LP gas	
4	Tire type		pneumatic		pneumatic		pneumatic	
5	Wheels		2x / 2		2x / 2		2x / 2	
DIMENSIONS								
6	Maximum fork height (BOF)	in mm	132	3,360	132	3,360	132	3,360
7	Free lift	in mm	6.3	160	6.3	160	6.3	160
8	Forks – thickness x length x width	in mm	2.4x48x5.9	60x1,220x150	2.4x48x5.9	60x1,220x150	2.4x48x5.9	60x1,220x150
9	Fork spacing – out-to-out minimum / maximum	in mm	12.6 / 46.6	320 / 1,184	12.6 / 46.6	320 / 1,184	12.6 / 46.6	320 / 1,184
10	Tilt – forward / backward	deg	6° / 10°		6° / 10°		6° / 10°	
11	Overall length to fork face	in mm	130	3,310	130	3,310	132	3,360
12	Overall width	in mm	57.5	1,460	57.5	1,460	57.5	1,460
13	standard duals	in mm	77.4	1,965	77.4	1,965	77.4	1,965
14	Overall mast height (mast lowered)	in mm	94.5	2,400	94.5	2,400	94.5	2,400
15	Seat effective height	in mm	42.6	1,082	42.6	1,082	42.6	1,082
16	Head guard height	in mm	90.5	2,296	90.5	2,296	90.5	2,296
17	Overall height (mast extended with backrest)	in mm	181	4,590	181	4,590	181	4,590
18	Minimum turning radius	in mm	114	2,890	114	2,890	116	2,940
19	Front overhang	in mm	23.7	602	23.7	602	23.7	602
20	Minimum aisle for right angle stacking – zero clearance w/o load	in mm	137	3,492	137	3,492	139	3,542
PERFORMANCE								
21	travel speed – loaded / empty	mph km/h	13.7 / 14.0	22.0 / 22.5	13.0 / 13.7	21.0 / 22.0	13.4 / 14.0	21.5 / 22.5
22	lift speed – loaded / empty	fpm m/s	96.5 / 102	0.49 / 0.52	102 / 108	0.52 / 0.55	96.5 / 102	0.49 / 0.52
23	lowering speed – loaded / empty	fpm m/s	98.4 / 98.4	0.5 / 0.5	98 / 98	0.5 / 0.5	98.4 / 98.4	0.5 / 0.5
24	Drawbar pull	lb N	6,100	27,000	5,575	24,800	6,100	27,000
25	(forward – loaded)	STALL – 1st	8,400	37,500	8,048	35,800	8,400	37,500
26	Gradeability	%	23.3		21.0		21.5	
27	(forward – loaded)	STALL – 1st	33.0		31.2		30.7	
WEIGHT								
28	Total weight (unloaded – single)	lb kg	15,960	7,240	16,163	7,330	16,690	7,570
29	Axle load	lb kg	24,210 / 2,750	10,980 / 1,250	24,299 / 2,889	11,020 / 1,310	25,710 / 2,980	11,660 / 1,350
30		lb kg	7,030 / 8,930	3,190 / 4,050	7,122 / 9,063	3,230 / 4,110	6,900 / 9,790	3,130 / 4,440
CHASSIS								
31	front, single	in	300–15–18PR		300–15–18PR		300–15–18PR	
32	front, special duals	in	8.25–15–12PR		8.25–15–12PR		8.25–15–12PR	
33	rear	in	7.00–12–14PR		7.00–12–14PR		7.00–12–14PR	
34	Wheelbase	in mm	84.6	2,150	84.6	2,150	84.6	2,150
35	front, single	in mm	46.3	1,175	46.3	1,175	46.3	1,175
36	front, special duals	in mm	56.9	1,445	56.9	1,445	56.9	1,445
37	rear	in mm	46.5	1,180	46.5	1,180	46.5	1,180
38	at mast	in mm	5.9	150	5.9	150	5.9	150
39	at frame	in mm	8.9	227	8.9	227	8.9	227
40	service		foot, hydraulic		foot, hydraulic		foot, hydraulic	
41	parking		hand, mechanical		hand, mechanical		hand, mechanical	
POWERTRAIN								
42	model		GK45		4EGT		GK45	
43	rated output	HP kW	97	72	72	54	97	72
44	@ engine speed	r.p.m.	2,450		2250		2,450	
45	maximum torque	lb-ft N-m	207	280	191.76	260	207	280
46	@ engine speed	r.p.m.	1,200		1,800		1,200	
47	cylinder / displacement	cu in L	6 / 275	6 / 4.5	4 / 203	4 / 3.33	6 / 275	6 / 4.5
48	Transmission – type		powershift		powershift		powershift	
49	Transmission – number of speeds forward / reverse		2 / 1		2 / 1		2 / 1	
50	Battery – volts		12		12		12	
51	Relief pressure for attachments	psi bar	2,770	191	2,770	191	2,770	191
52	Noise (CEN)	dB(A)	83		83		83	

FD55N				
1	lb	kg	12,000	5,500
2	in	mm	24	600
3			diesel	
4			pneumatic	
5			2x / 2	
6	in	mm	132	3,360
7	in	mm	6.3	160
8	in	mm	2.4x48x5.9	60x1,220x150
9	in	mm	12.6 / 46.6	320 / 1,184
10	deg		6° / 10°	
11	in	mm	132	3,360
12	in	mm	57.5	1,460
13	in	mm	77.4	1,965
14	in	mm	94.5	2,400
15	in	mm	42.6	1,082
16	in	mm	90.5	2,296
17	in	mm	181	4,590
18	in	mm	116	2,940
19	in	mm	23.7	602
20	in	mm	139	3,542
21	mph	km/h	12.7 / 13.7	20.5 / 22.0
22	fpm	m/s	100 / 108	0.51 / 0.55
23	fpm	m/s	98 / 98	0.5 / 0.5
24	lb	N	5,508	24,500
25	lb	N	8,071	35,900
26	%		19.3	
27	%		28.9	
28	lb	kg	16912	7670
29	lb	kg	25887 / 3153	11740 / 1430
30	lb	kg	6990 / 9923	3170 / 4500
31	in		300-15-18PR	
32	in		8.25-15-12PR	
33	in		7.00-12-14PR	
34	in	mm	84.6	2,150
35	in	mm	46.3	1,175
36	in	mm	56.9	1,445
37	in	mm	46.5	1,180
38	in	mm	5.9	150
39	in	mm	8.9	227
40			foot, hydraulic	
41			hand, mechanical	
42			4EGT	
43	HP	kW	72	54
44	r.p.m.		2250	
45	lb-ft	N-m	191.76	260
46	r.p.m.		1,800	
47	cu in	L	4 / 203	4 / 3.33
48			powershift	
49			2 / 1	
50			12	
51	psi	bar	2,770	191
52	dB(A)		83	

Call-out numbers shown in the diagram below correspond to the first column of the specifications chart.

FG40N-FG55N

FD40N-FD55N



GOING THE EXTRA MILE.

HELPING KEEP OPERATORS AND PRODUCTS SECURE REQUIRES CONSTANT AWARENESS



Mitsubishi Forklift Trucks offers a selection of options designed specifically to help minimize risk and keep operators, pedestrians and your assets secure in the work environment.

Integrated Presence System:

The FG40N-FG55N / FD40N-FD55N series is built to help protect the operator and surrounding personnel. Each forklift comes standard with the Integrated Presence System (IPS), which is designed to disengage all powered travel and mast hydraulic functions when the operator leaves the normal operating position. A warning alarm will also sound and an indicator on the dash will appear if the operator leaves the compartment without applying the parking brake or forgets to fasten their seat belt.

Additional Options:

- **Rear grab bar with horn button** – This option allows the operator to easily and comfortably access the horn while traveling in reverse, while the ergonomic placement of the rear grab bar creates a secure grip.
- **Ground speed control** – This programmable feature regulates top speeds and acceleration in environments where caution should be exercised.
- **Swing-down LP tank bracket** – Helping to reduce operator strain, this option makes it easier to remove and replace the empty fuel tank.
- **Light, strobe and alarm packages** – In dimly lit work areas, rear LED work lights and strobe packages enhance operator visibility, while increasing the visibility of the forklift to others working in the same area.
- **Fuel Saver Mode** – This innovation allows the acceleration curve to be limited, while allowing top speeds to still be achieved. In doing this, the forklift is able to maintain up to 95% production while being up to 14% more fuel efficient. It can also help prevent tire wear from excessive tire spin upon acceleration.
- **Thermoformed overhead guard cover** – This plastic cover, offered in both clear or tinted, will help protect the operator from the elements while still allowing visibility through the overhead guard.

The Integrated Presence System provides audible and visual reminders to the operator.



Ground speed control allows you to set limits for the forklift's top speeds, especially useful in applications with pedestrian traffic.



FG40N-FG55N FD40N-FD55N

8,000-12,000 LB CAPACITY PNEUMATIC TIRE FORKLIFT

Exceptional Value

More Than 296,000 Parts To Keep You Running

Mitsubishi Forklift Trucks offers several parts programs, all designed to bring you top performance and convenience for your material handling needs. Contact your local dealer to put our services to work for you.

Support To Fit Your Operation

Find out why more companies are relying on Mitsubishi forklift truck dealers to keep their fleet operating at top performance. Our efficiency provides customers with a better return on investment, and qualified service technicians, diverse parts inventory and unparalleled selection of service options can help reduce your total cost of ownership.

Extensive Dealer Network

The Mitsubishi forklift truck dealer network is dedicated to finding the right forklift solution for your business. With more than 300 dealer locations, you can rely on your local dealer to provide the service you need when you need it most.



Manufactured with superior quality and exceptional value, Mitsubishi forklift trucks are supported by an extensive dealer and field support network located throughout North and South America. Don't forget to ask your local Mitsubishi forklift truck dealer about details on factory retail programs, financing plans and additional options and dealer services like planned maintenance and operator training.